

Visiting Nurse Scale

Model SR241

The SR241 Portable Infant/Adult Scale is a unique portable system that offers the versatility of weighing infants, toddlers, and adults on one lightweight and moisture-resistant system. Weighing in at a mere seven pounds, this scale is perfect for visiting nurse applications. Its sturdy construction and inherent durability also lends itself well for use in pediatrician or physician offices.



Adult Mode



Platform size: 14" x 12"

LIGHTWEIGHT

Weighs only 7 pounds. Built-in carrying handle.

HEAVY-DUTY

Injection molded out of high strength, impact-resistant plastic.

WEATHER TIGHT

The entire scale is designed with the visiting nurse in mind. So a little rain or snow is just fine.

EASILY CLEANED

There are no hidden crevices or dirt-catching seams. The entire scale can easily be cleaned to mitigate cross-contamination issues and ensure caregiver safety as well.

2-4-1

2 scales **4** the price of **1**. Weigh both adults and infants on the same scale. Weigh babies up to 44 pounds and adults up to 400 pounds. The removable tray separates the adult-weighing surface from the baby-weighing surface.

BATTERY POWER

A single 9VDC provides up to 3000 weigh cycles.

OPTIONAL EQUIPMENT

Carrying case



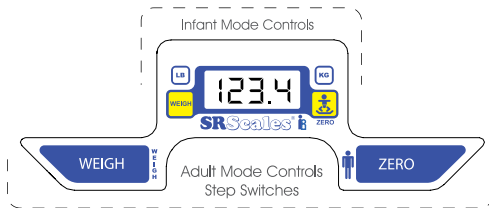
4 YEAR
WARRANTY



MADE IN
THE USA

Visiting Nurse Scale

Model SR241



SYSTEM SPECIFICATIONS

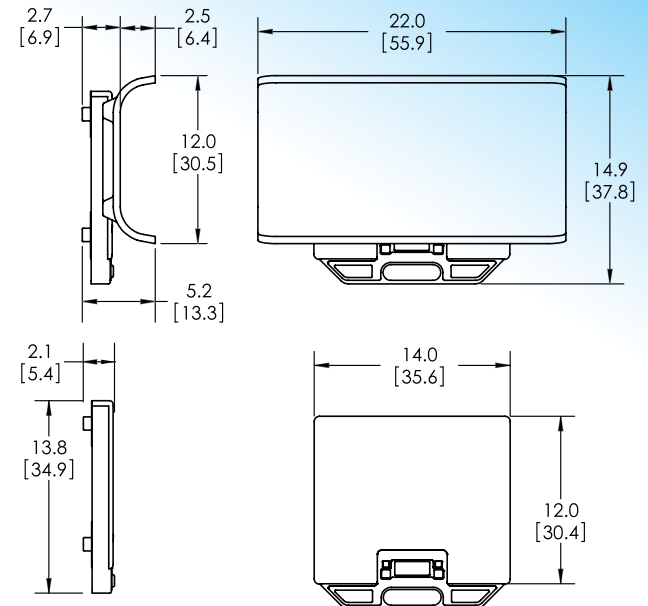
MAX WEIGHT	400 Lb / 181 Kg
DISPLAY TYPE	4-1/2 digit 7 segment LCD
DISPLAY RESOLUTION	Adult Mode: 0.1 Lb (0.1 Kg) Infant Mode: 1/4 oz (0.01 Kg)
ACCURACY	0.2% +/- 1 digit of displayed resolution
DISPLAY UNITS	Pounds / Ounces and Kilograms
POWER	1 common 9v Alkaline Battery. Provides approximately 3000 weigh cycles.
AUTO POWER DOWN (APD)	Approximately 60 sec. to conserve battery life. A low battery indication will appear when it's time to replace the batteries.
WEIGHT	4 Lb (1.8 Kg) (scale only) 7 Lb (3.2 Kg) (scale with cradle)
WARRANTY	4 years

ACCESSORIES AND OPTIONS

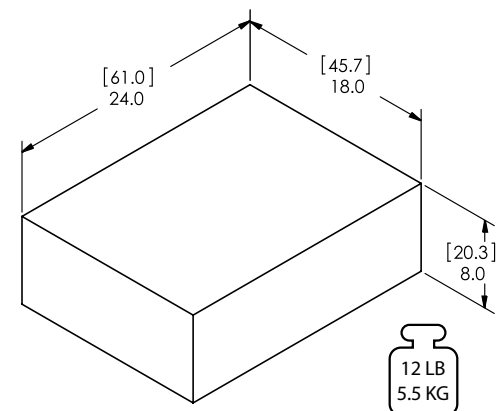
DESCRIPTION	PART NUMBER
INFANT / ADULT SCALE	SR241
KILOGRAMS ONLY	SR241KG
ADULT SCALE ONLY (NO TRAY)	SR241SO
KILOGRAMS ONLY	SR241SOKG
ANTIMICROBIAL INFUSED PEDIATRIC SCALE CART	SRC-600
REPLACEMENT INFANT TRAY	SM4028
SOFT SIDED CARRYING CASE	PP4022



DIMENSIONS in [cm]



PACKAGING



- **Weather tight design**
- **No place for dirt to hide**
- **Easy to clean**

