

Wall Mount Scale

Model SR7000i

The ultimate space saver. Designed for flush wall mount, the SR7000i platform scale tucks away neatly when not in use to maximize your use of floor space.

The extra-large weighing surface with integrated ramps will easily accommodate patients with walkers, canes, chairs, and wheelchairs up to 40" wide.

Constructed of heavy-duty aluminum plate, the SR7000i has a weight capacity of 1000 Lbs. Counter-balancing actuators make light work out of raising and lowering the weighing surface.

It's there when you need it and cleanly out of the way when you don't.



Platform size: 40" x 24"

ANTIMICROBIAL

SR Scales contain antimicrobial technology for powerful, continuous product protection against bacteria.

AUTO-WEIGH

The scale will automatically turn on, lock in a stable weight, and send a record of the weight, date, and time stamp to the optional printer. (BMI can also be calculated and added to the record.)

MEMORY

Recalls the last stored weight.

POWER

Medical grade wall power supply.

BMI CALCULATION

Enter height information to calculate and display Body Mass Index.

OPTIONAL EQUIPMENT

Thermal printer



4 YEAR
WARRANTY






MADE IN
THE USA

Wall Mount Scale

Model SR7000i



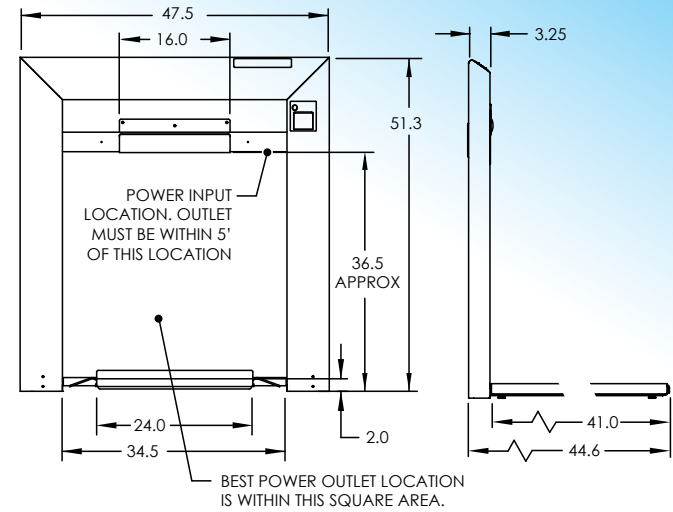
SYSTEM SPECIFICATIONS

MAX WEIGHT	1000 Lb / 454 Kg
DISPLAY TYPE	16 Character LCD w/ LED Backlight
DISPLAY RESOLUTION	0.1 Lb/Kg
ACCURACY	0.1% +/- 1 digit of displayed resolution
DISPLAY UNITS	Pounds / Kilograms
POWER	Medical grade AC Wall Power Supply
AUTO POWER DOWN (APD)	Programmable on-time.
AUTO WEIGH/PRINT	The scale will automatically turn on, lock in a stable weight, and print (printer optional).
MEMORY 	Last stable weight is automatically stored in memory. Press RECALL to retrieve.
AUTO ZERO	Scale will automatically zero when the platform is folded down.
BMI CALCULATION  	Press BMI and input height. Press ENTER to view BMI information.
BUILT-IN PRINTER (Optional)	Stored information may be sent to the built-in thermal printer and may include: Weight/Time/Date/BMI.
WARRANTY	4 years

ACCESSORIES AND OPTIONS

DESCRIPTION	PART NUMBER
WALL MOUNT SCALE WITH PRINTER	SR7000i-P
KILOGRAM ONLY SCALE	SR7000i-KG
REPLACEMENT THERMAL PRINTER	FRNP-P2062
REPLACEMENT PAPER (15 rolls per box)	FRT211C1
REPLACEMENT POWER ADAPTOR	FRMW173K

DIMENSIONS in [cm]



PACKAGING

