

Wheelchair Scale

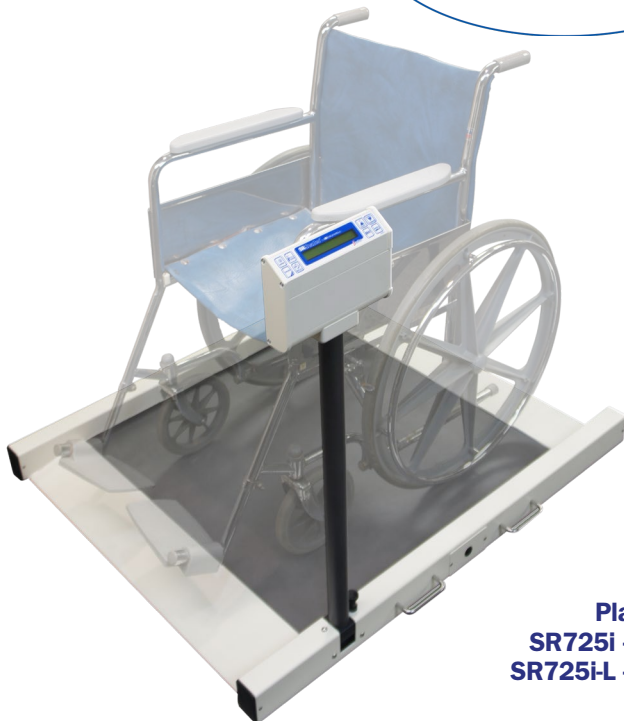
Model SR725i and SR725i-L

Do you have a need for a large weighing platform but don't have the floor space? Then the SR725i may be just what you're looking for.

The display mast folds down flat allowing the scale to be rolled away and stored vertically, keeping hallways clear for safety. The aluminum frame is lighter than steel-based platforms and the scale's large weighing surface with integrated ramps easily accommodates patients with walkers, canes, chairs, and wheelchairs. The wider SR725i-L can accommodate bariatric and motorized wheelchairs.

Rugged, dependable, and easy to store.

Built with the quality and performance you've come to expect from SR Scales.



Platform size:
SR725i - 30" x 32"
SR725i-L - 30" x 36"

ANTIMICROBIAL

SR Scales contain antimicrobial technology for powerful, continuous product protection against bacteria.

FOLDING DESIGN

The display mast easily folds down and the platform can be tilted onto the integrated wheels for transport or storage.



ALUMINUM PLATE CONSTRUCTION

Durable and easy-to-clean surfaces.

MEMORY RECALL

Recalls the last stored weight.

BATTERY OPERATED

6 common "D" cell batteries provide approximately 10,000 weigh cycles with programmable Auto Power Down (APD) to conserve power.

BMI CALCULATION

Enter height information to calculate and display Body Mass Index.

EHR/EMR READY

Serial data output can be used to communicate with electronic health records through send or get commands.

OPTIONAL EQUIPMENT

Thermal printer



EASY TRANSPORT
& STORAGE



4 YEAR
WARRANTY



MADE IN
THE USA

Wheelchair Scale

Model SR725i and SR725i-L



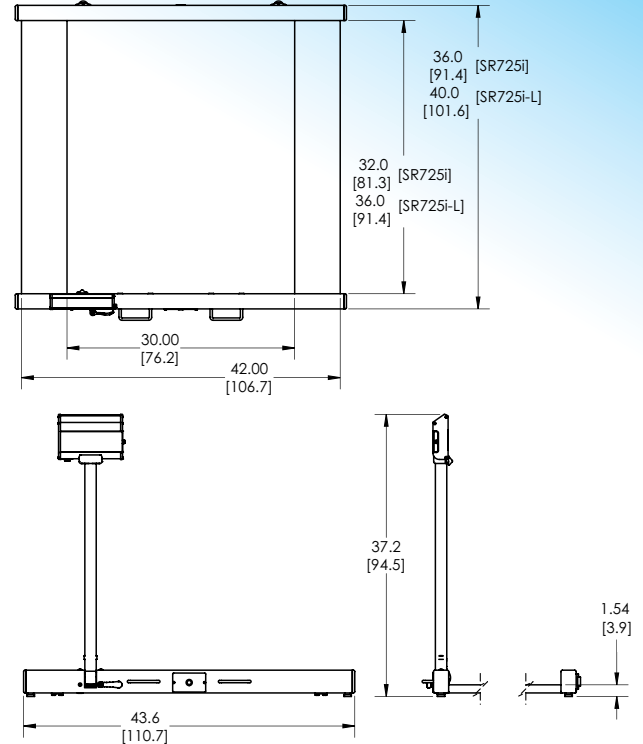
SYSTEM SPECIFICATIONS

MAX WEIGHT	1000 Lb / 454 Kg
DISPLAY TYPE	16 Character LCD w/LED Backlight
DISPLAY RESOLUTION	0.1 Lb/Kg
ACCURACY	0.1% +/-1 digit of displayed resolution
DISPLAY UNITS	Pounds/Kilograms
POWER	6 "D" cell alkaline batteries
BATTERY LIFE	10,000 Weigh Cycles (est. based on 30 second on-time)
AUTO POWER DOWN (APD)	Programmable on-time to conserve battery life. A low battery indication will appear when it's time to replace the batteries.
MEMORY	Last stable weight is automatically stored in memory. Press RECALL to retrieve.
BMI CALCULATION	Press BMI and input height. Press ENTER to view BMI information.
SERIAL DATA OUTPUT (EHR)	9-pin serial data output can be used to send weight data to optional printer or EHR/EMR Systems.
WARRANTY	4 years

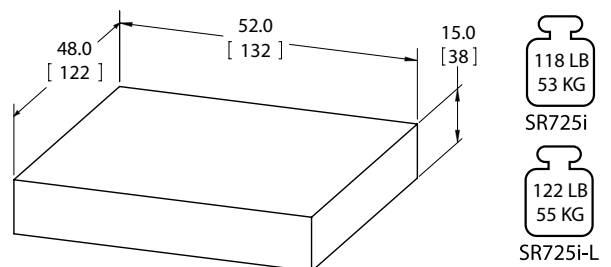
ACCESSORIES AND OPTIONS

DESCRIPTION	PART NUMBER
PRINTER KIT (Includes FRAP1300, FRTP130012C, FRBC1300, SE8294, and all mounting hardware)	SR8219
KILOGRAM ONLY SCALE	SR725i-KG SR725i-LKG
REPLACEMENT THERMAL PRINTER	FRAP1300
REPLACEMENT PAPER (10 rolls per box)	FRTP130012C
REPLACEMENT PRINTER POWER ADAPTER	FRBC1300

DIMENSIONS in [cm]



PACKAGING



PRODUCT OPTIONS

DESCRIPTION	PART NUMBER
30 (76.2) X 36 (91.4) PLATFORM	SR725i-L
30 (76.2) X 32 (81.3) PLATFORM	SR725i