

Mobile Platform Scale

Model SRV711B

This large mobile platform scale makes gathering weight for lions, tigers, bears, and other large animals both easy and safe whether being weighed in their habitat or holding cage.

The scale's durable stainless frame is coated with an aggregate infused polyurea coating that provides a slip-free surface for animals, eliminating the fear animals often associate with a scale.

The scale incorporates hermetically sealed load cells and remote display allowing for complete wash down of the scale.



REMOTE DISPLAY

The scale comes with a handheld remote display which can be located up to 14' from the scale.

LARGE WEIGHING SURFACE

The scale's large 36" x 54" anti-skid surface makes it ideal for gathering weight on large hoofstock or turtles.

CAPACITY

2,000 Lbs. or 907 Kgs.

PORTABLE

Two people can easily carry the scale to where the animal is to be weighed. Simply place on a hard flat surface.

POWER

One 9 volt battery provide up to 2,000 weigh cycles.



Mobile Platform Scale

Model SRV711B

SR Scales[®]
by SR Instruments, Inc.

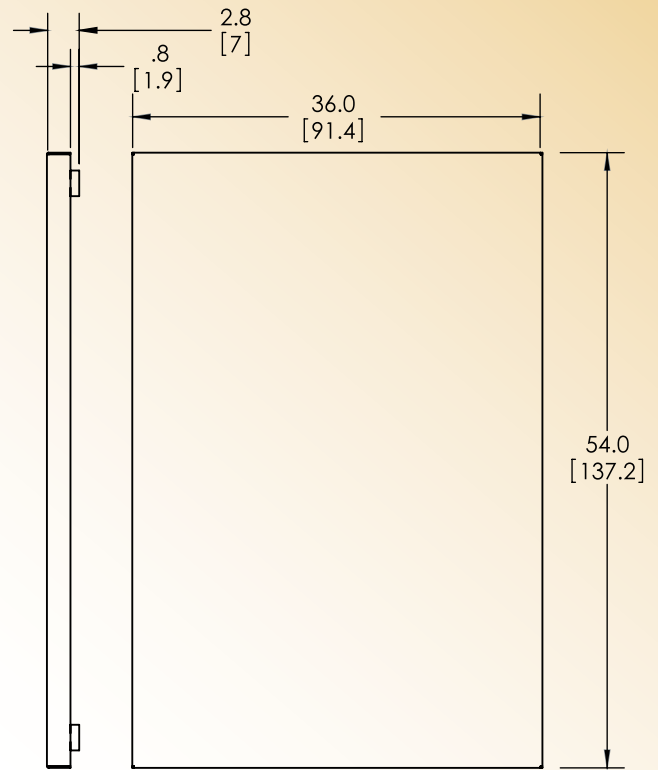
Quality. Reliability. Accuracy.

SYSTEM SPECIFICATIONS

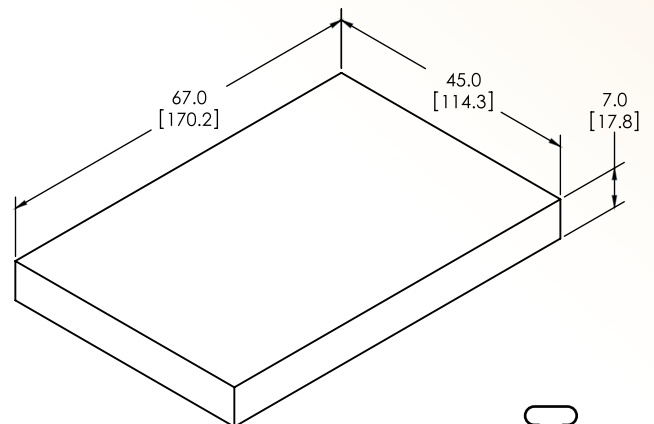
MAX WEIGHT	2,000 Lb / 907 Kg
DISPLAY RESOLUTION	.2 Lb / .1 kg
BUTTON FUNCTIONS	Zero/Weigh, lb/kg
DISPLAY UNITS	Pounds / Kilograms
PORTABILITY	Two people can easily move scale to point of use.
POWER	One 9 volt Battery
AUTO POWER DOWN	Approximately five (5) minutes from last button press.
SCALE WEIGHT	140 lbs.
WARRANTY	Two (2) Years



DIMENSIONS in [cm]



PACKAGING



Specifications subject to change without notice.

SR Instruments, Inc.

600 Young Street, Tonawanda, New York 14150 USA
T: 716.693.5977 • F: 716.693.5854 • TF: 1.800.654.6360

www.srscales.com

email: info-request@srinstruments.com